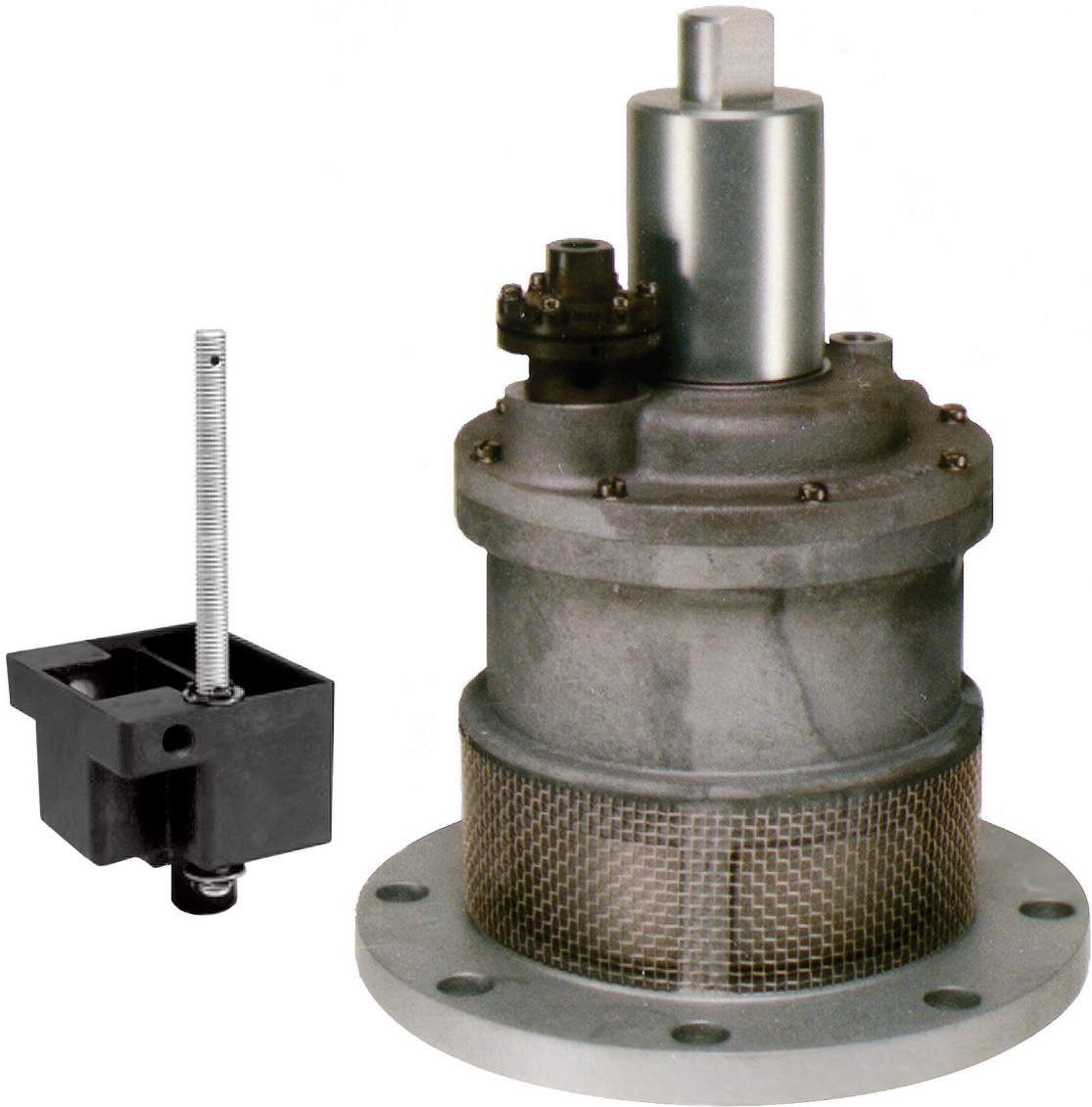


**Carter®**

Bottom Loading Components — 4-inch



**EATON**

*Powering Business Worldwide*

# Design Concepts

Eaton's Carter product line includes four-inch Bottom Loading Valves and accompanying Level Sensor, designed for use in refuelers where bottom loading/off-loading rates of up to 800 gpm (3028 l/min) are desired. There are two internal valve models. Model 64055 is for use in loading and off-loading, Model 64143 is strictly used for loading. Off-loading requires the use of air pressure to open the internal valve. Both are used with Model 64079 Level Sensor or, as an alternative, they can be used with an optic probe control. Bottom loading control is accomplished automatically when the tank liquid level reaches the pre-set level sensor. Both of the available internal valves can be purchased to use with either a single or dual level sensor as explained below.

## Features

- Pilot valve is identical on all Eaton bottom loading components, resulting in lower maintenance costs. There is no through-hole in the diaphragm in the pilot to cause leakage and ultimate failure.
- Either single level or dual level control available. Dual level control, when used with Model 64079B Level Sensor, provides better shutoff level accuracy and lower surge pressures resulting from closing at very high rates of flow.
- 50 psi (3.447 bar) min. air pressure and standard air controlling valves (not furnished by Eaton) required for off-loading (see Model 64055 details). No off-loading control provided on Model 64143.
- Internal valve mates standard TTMA sump flange
- Can be used with optic sensing system
- Low pressure loss:  
Bottom loading — 4.5 psi (.310 bar) at 600 gpm (2271 l/min)  
Off-loading — 1.5 psi (.103 bar) at 600 gpm (2271 l/min)

## Installation Tips

- Install the internal valve from the outside of the tank with sufficient flexible line between the pilot(s) and the level sensor for easier removal and maintenance
- Inlet line to Model 64079 Level Sensor from pressure source (adapter) must be at least 3/8-inch diameter tubing and should be routed from a port on the bottom loading adapter, e.g. Eaton Models 6958 or 61528, which have ports designed for this application. (See Bottom Loading Adapters brochure (TF100-77) for additional information). Routing the inlet pressure source closer to the internal valve may not allow sufficient pressure for the system to function correctly. If the optional mounting stud (Option A) is used, sufficient length of flexible tubing should be used to allow for adequate adjustment.
- Line between the pilot on Model 64129A Bottom Loading Valve and Model 64079 Level Sensor should be 1/4-inch diameter for best operation. Pressure surging may occur if larger tubing is used.
- If desired, a separate precheck system may also be routed from the adapter to the precheck port on the level sensor, although the same effect can be achieved by installing a 3/8-inch spring loaded, normally open ball valve in the inlet pressure line. It will

be necessary to adjust the precheck gate in the bottom of the level sensor to make the precheck effective in either case. This is a trial and error adjustment. Note that there are no "tuning" plugs on Model 64079 Level Sensor as on the Whittaker Model F613. A simple "gate" type valve in the bottom of the precheck collector/drain can provides adjusting of the precheck flow.

- It is essential for safety reasons to install a plastic tube to the drain fitting on the bottom of the Model 64079 Level Sensor. Draining fuel from the level sensor, if not collected and drained properly, could generate a static discharge, which could lead to a fire.
- The optional mounting stud is located outside of the precheck and drain cans on Model 64079 level sensor. Unlike competitive models, there are no holes to plug with loose O-rings if the stud is used. If the stud is not used, the can on Model 64079 is already sealed and there are no plugs to install. If installed correctly the level in the tank can be adjusted over a wide range simply by screwing the stud up or down to the desired level.
- If the internal valve is to be used with an optic probe system, a three-way solenoid valve must be installed in the pressure line from the adapter. When the tank level is below the probe the inlet

pressure should be routed to the pilot on the internal valve to cause it to open. When the optic probe is sensing fuel (level below the probe) the pilot on the internal valve must be vented to tank and the inlet pressure shutoff. This will cause the internal valve to close and stop the bottom loading process.

## Avery Hardoll Equivalents

Eaton's Model 64143A 4-inch Bottom Loading Valve and 64079A Level Sensor can be used in lieu of the 4-inch Avery Hardoll jet able bottom loading valve. Bottom loading systems function basically the same.

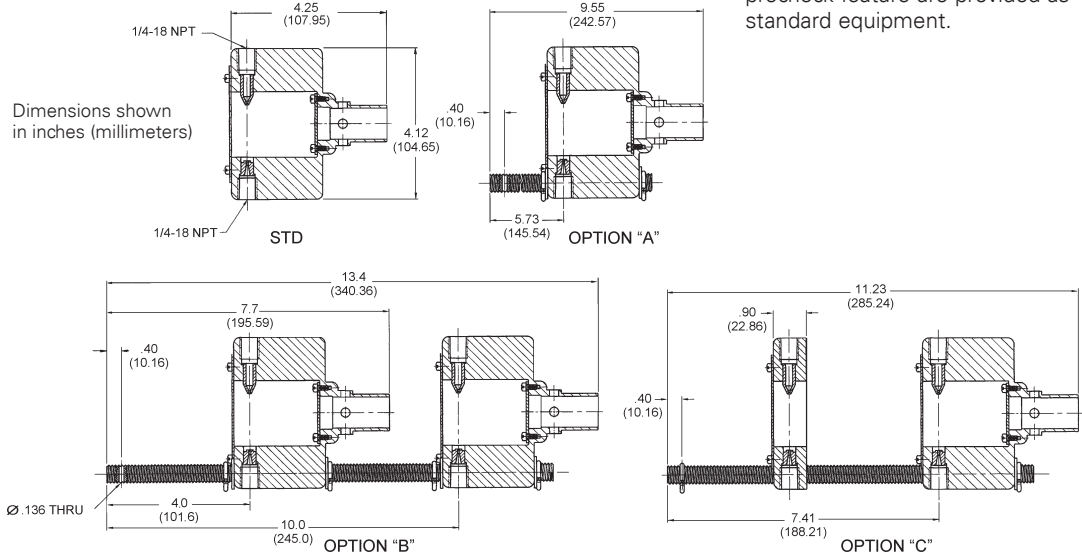
## Alternative Bottom Loading Models

Bottom loading equipment for 3 and 6-inch installations is also available. See catalog sheets TF100-94 and TF100-95 for complete information on this type of equipment.

## 64079 Level Sensor

There are no moving parts or seals in the level sensor which, when used with Model 64055A or 64143A Bottom Loading Valves, will provide high level bottom loading control. There are no wearing parts in the unit, hence it lasts indefinitely. Truck vibration will have no effect on the unit, unlike float valves, which are subject to vibration damage. It is available with an optional mounting stud for adjustable level control. The stud is located outside of the collector/drain can for better level control. A collector/drain can and precheck feature are provided as standard equipment.

## Model 64079 Envelope Dimensions



One or more of the options shown (right) may be added to change the function or configuration of the units below:

**Model 64055** (basic configuration) — 4-inch Internal off-loading valve. Provides off-loading by use of air pressure

**Model 64143A** (no basic configuration available) — 4-inch bottom loading valve for use for loading only, no off-loading capability

**64079** — Option A, B or C may be added to the basic 64079 model number when used with Model 64055A or 64143A

### Equivalent Model Numbers — Whittaker To Eaton

The table (right) presents the equivalent Eaton models to replace Whittaker units

| Option | Description   |
|--------|---|
| A      | Adds pilot valve to basic unit (Model 64055 only — Model 64143A not available without pilot Option A) to provide bottom loading control when used with Model 64079 Jet Level Sensor or optic sensing probe system |
| B      | Adds dual pilot valves to either unit for use with either two Model 64079 or one 64079B level sensors to improve accuracy of the tank shutoff level or to reduce surge at closure                                 |
| C      | Viton® sliding seals  |

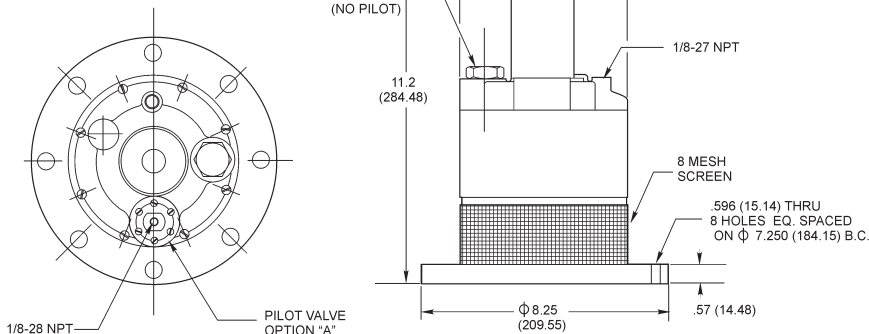
| Option | Description   |
|--------|---|
| A      | Adds stud to basic unit to provide mounting and level adjustment — ½-13 UNC-2B thread |
| B      | Dual jet level sensor   |
| C      | Jet level sensor with short body level sensor   |

| Item Description   | Whittaker Model | Eaton Model | Comments Applicable To Eaton models   |
|--|-----------------|-------------|---|
| 4-inch Internal valve for off-loading only               | F614            | 64055       | Air pressure required for off-loading                                       |
| 4-inch Internal valve for bottom loading and off-loading | F614A or B      | 64055A or B | Either single or dual pilots available. Air required for off-loading.       |
| 4-inch Internal valve for bottom loading only            | None            | 64143A      | No off-loading capability. A separate internal valve must be used.          |
| Level sensor, no options                                 | F613            | 64079       | Precheck and collector drain cans standard                                  |
| Level sensor with mounting stud                          | F613A           | 64079A      | Mounting stud located outside of precheck and drain cans for better control |
| Dual level sensor with mounting stud                     | F613B           | 64079B      | Same comment as above   |

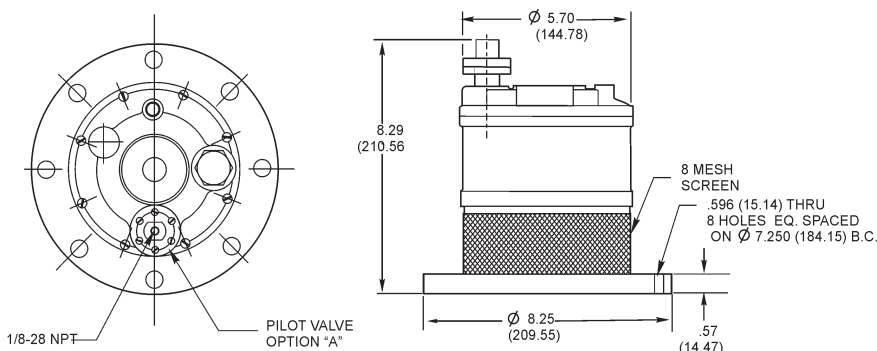
### Envelope Dimensions

Dimensions shown in inches (millimeters)

#### Model 64055



#### Model 64143A



**Eaton**  
**Aerospace Group**  
**Fluid & Electrical Distribution Division**  
**9650 Jeronimo Road**  
**Irvine, California 92618**  
**Phone: (949) 452 9500**  
**Fax: (949) 452 9992**  
**E-mail: [groundfueling@eaton.com](mailto:groundfueling@eaton.com)**